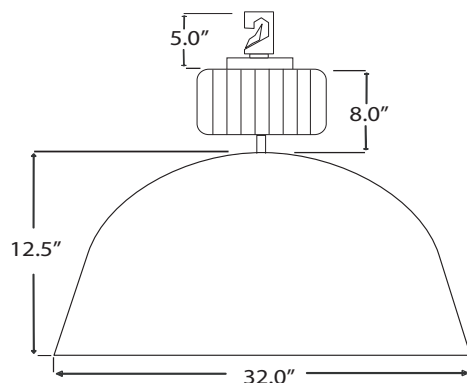
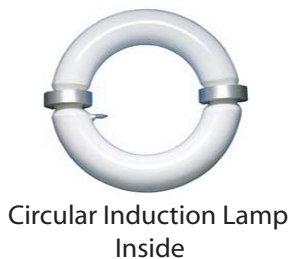


# INDUCTION - 32" HIGH-BAY ALUMINUM Light Fixtures

## 100,000 Hrs Life

## The Next Generation of Lighting



### Specification:

- Ballast Type	Electronic
- Start Method	InstantON
- Hot Re-start	InstantON
- Universal Input Line Voltage	120-277 VAC
- Input Line Frequency	50/60 Hz
- Lamp Life	100,000 Hrs.
- Lumen Maintenance @75,000Hrs	>70%
- Color Temperature	5000°K
- Color Rendering Index (CRI)	83
- Minimum Starting Temperature	-20°F
- Maximum Operating Temperature	160°F
- Lamp Operating Frequency	250 kHz
- Power Factor	> 0.98
- Total Harmonic Distortion	< 10%
- Inrush Current Peak	< 10 Amp
- ETL Listed / UL Standard 1598	Yes
- FCC Compliance	Part 18, Subp. C

### Applications, Features, and Benefits

- Clear impact Resistant Non-yellowing, UV protected Polycarbonate Lens
- White cast aluminum gear box with 3" mounting hook
- Ballast made with long life components
- InstantON(TM) flicker-free Cold Start and Hot Re-Start
- Correlated Color Temperature of 5000, K for greater visibility
- High Power Factor, Low THD Replaceable Ballast
- Concealed continuous gasket seals against harmful dust, dirt, moisture and insects
- Advanced phosphors for high Lumen Maintenance and high lumen output
- Aluminum Anodized reflectors for superior long term performance
- Up to 20 years Maintenance free operation
- 400W or 500W are ideal retrofits for 1000W HID fixtures
- Very High Output, High Light Quality and Very Long Life
- Light Sensor Detector (LD) - optional
- Motion Sensor Detector (MD) - optional

### Product Information

Item No.	Description	Watts	Initial Lumens	Line Voltage Supply	Line Current	Total Harmonic Distortion (THD)	Power Factor	Packaging Dimensions		
								Width	Length	Height
32200	32" High-Bay - Aluminum	200	16,000	120-277 VAC	1.75-0.75 Amp	<10%	0.98	36 in. 914 mm	36 in. 914 mm	31 in. 787 mm
32250	32" High-Bay - Aluminum	250	20,000	120-277 VAC	2.18-0.94 Amp	<10%	0.98	36 in. 914 mm	36 in. 914 mm	31 in. 787 mm
32300	32" High-Bay - Aluminum	300	24,000	120-277 VAC	2.62-1.13 Amp	<10%	0.98	36 in. 914 mm	36 in. 914 mm	31 in. 787 mm
32400	32" High-Bay - Aluminum	400	32,000	120-277 VAC	3.50-1.51 Amp	<10%	0.98	36 in. 914 mm	36 in. 914 mm	31 in. 787 mm
32500	32" High-Bay - Aluminum	500	40,000	120-277 VAC	4.37-1.89 Amp	<10%	0.98	36 in. 914 mm	36 in. 914 mm	31 in. 787 mm

### Ordering Information

(SAMPLE NUMBER : 32200-UNV-MD-C3-PL)

**Series**  
32 = 32" High-Bay

**Wattage**  
200 = 200W  
250 = 250W  
300 = 300W  
400 = 400W  
500 = 500W

**Voltage**  
UNV = Universal  
480 = 480V

**Accessories**  
LD = Light Sensor / Photocell  
MD = Motion Sensor

**Options**  
\*C3 = 3' Cord-No Plug (Other Lengths available by specifying cord length C6 = 6' cord)  
PC3 = 3' Cord with NEMA Plug (verify plug type when ordering)  
\*\*PL = Polycarbonate Lens  
\* Product comes standard with 3' Cord-No Plug  
\*\* Product comes standard with Polycarbonate dropped Lens

NEPTUN Light, Inc.  
Questions and Comments:  
service@neptunlight.com  
Toll-Free: 1-888-735-8330



**NEPTUN**  
LIGHT

