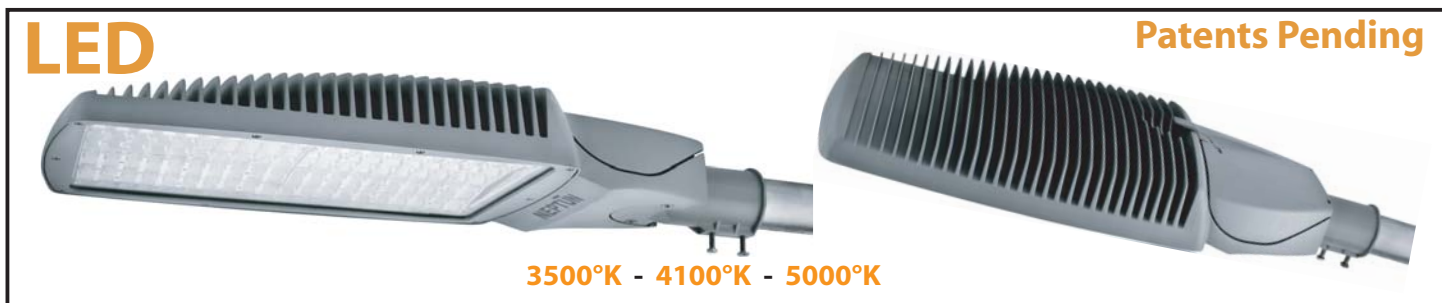


KOMETA™ - High Performance Street Light Luminaire

70,000 HRS Life

The Next Generation of Lighting



Specification:

- LED Driver Constant Current Type Electronic
- Start Method InstantON
- Hot Re-start InstantON
- Universal Input Line Voltage 120-277 VAC
- Input Line Frequency 50/60 Hz
- System Life 70,000 Hrs.
- Lumen Maintenance @50,000Hrs >85%
- Color Temperature 5000°K
- Color Rendering Index (CRI) >75
- Minimum Operating Temperature -40°F
- Maximum Ambient Temperature 125°F
- Power Factor >0.98
- Total Harmonic Distortion <10%
- Inrush Current Peak <10 Amp
- ETL Listed / UL Standard 1598 Yes
- FCC Compliance Part 18, Subp. C

Applications, Features, and Benefits

- Die-Cast aluminum housing with cooling fins.
- Zero Light Pollution (ZLP) design - (IESNA Full Cut-off)
- Type II Distribution
- Heat and impact resistant tempered glass lens with anti-glare diffuser
- 70,000 Hrs MTTF LED Driver/Power Supply
- InstantON(TM) flicker-free Cold Start and Hot Re-Start
- 120 PCS High output LED's
- High Power Factor, Low THD Driver
- Concealed continuous gasket seals against harmful dust, dirt, moisture and insects
- IP-65 Rated Housing for wet locations
- Up to 15 years Maintenance free operation
- 5 Year Warranty on complete fixture (LED's, Driver, housing)
- Slim , state of art, low profile design for minimum wind load resistance.
- Optional :
 - Light Sensor Detector (LD) Dawn to Dusk ON/OFF control
 - Color Temperature: 3500°K, 4100°K

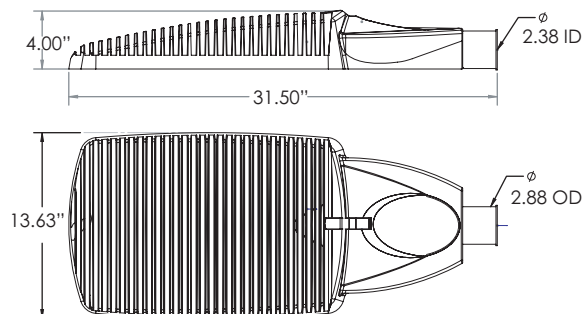
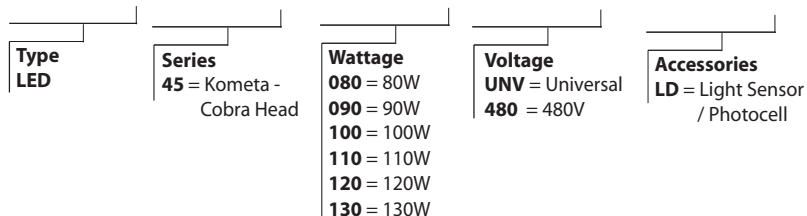
Product Information

Item No.	Description	Watts	Initial Lumens	Line Voltage Supply	Line Current	Total Harmonic Distortion (THD)	Power Factor	Packaging Dimensions		
								Width	Length	Height
LED-45080-UNV	LED Street Light Fixture	80	6,000	120-277 VAC	0.69 - 0.30 Amp	<10%	>0.98	16.0 in. 400 mm	32.0 in. 800 mm	7.0 in. 180 mm
LED-45090-UNV	LED Street Light Fixture	90	6,750	120-277 VAC	0.78 - 0.34 Amp	<10%	>0.98	16.0 in. 400 mm	32.0 in. 800 mm	7.0 in. 180 mm
LED-45100-UNV	LED Street Light Fixture	100	7,500	120-277 VAC	0.87 - 0.37 Amp	<10%	>0.98	16.0 in. 400 mm	32.0 in. 800 mm	7.0 in. 180 mm
LED-45110-UNV	LED Street Light Fixture	110	8,250	120-277 VAC	0.96 - 0.41 Amp	<10%	>0.98	16.0 in. 400 mm	32.0 in. 800 mm	7.0 in. 180 mm
LED-45120-UNV	LED Street Light Fixture	120	9,000	120-277 VAC	1.05 - 0.45 Amp	<10%	>0.98	16.0 in. 400 mm	32.0 in. 800 mm	7.0 in. 180 mm
LED-45130-UNV	LED Street Light Fixture	130	9,750	120-277 VAC	1.13 - 0.49 Amp	<10%	>0.98	16.0 in. 400 mm	32.0 in. 800 mm	7.0 in. 180 mm

Fixture Weight = 35 lbs.
Fixture EPA = 0.90

Ordering Information

(SAMPLE NUMBER : LED-45080-UNV-LD)



NEPTUN Light, Inc.
Questions and Comments:
service@neptunlight.com
Toll-Free: 1-888-735-8330

© Copyright 2012
NEPTUN Light, Inc.

